

REV.	DESCRIPTION	DRAWN	DATE
5.1	ECR2000010	FROS	2020/07/24
5.2	ECR2100003	TIM	2021/01/27
5.3	ECR240430001	TIM	2024/04/30

**SPECIFICATION:**

1. ELECTRICAL
  - 1.1 Current Rating: 0.5A per pin
  - 1.2 Voltage Rating: 50V AC
  - 1.3 Contact Resistance: 55mΩ Max
  - 1.4 Insulation Resistance: 500MΩ Min
  - 1.5 Dielectric Withstanding Voltage: 300VAC
2. MECHANICAL
  - 2.1 Durability: 50 Cycles
  - 2.2 Total Mating/Unmating Force: 2.3Kgf max.
3. ENVIRONMENTAL
  - 3.1 Operating temperature range: -40°C ~ +85°C
  - 3.2 Storage temperature range: -40°C ~ +85°C
4. SOLDER ABILITY
  - 4.1 Recommended IR-Reflow Temperature: 260°C 10Sec

Date Code: Y WW D

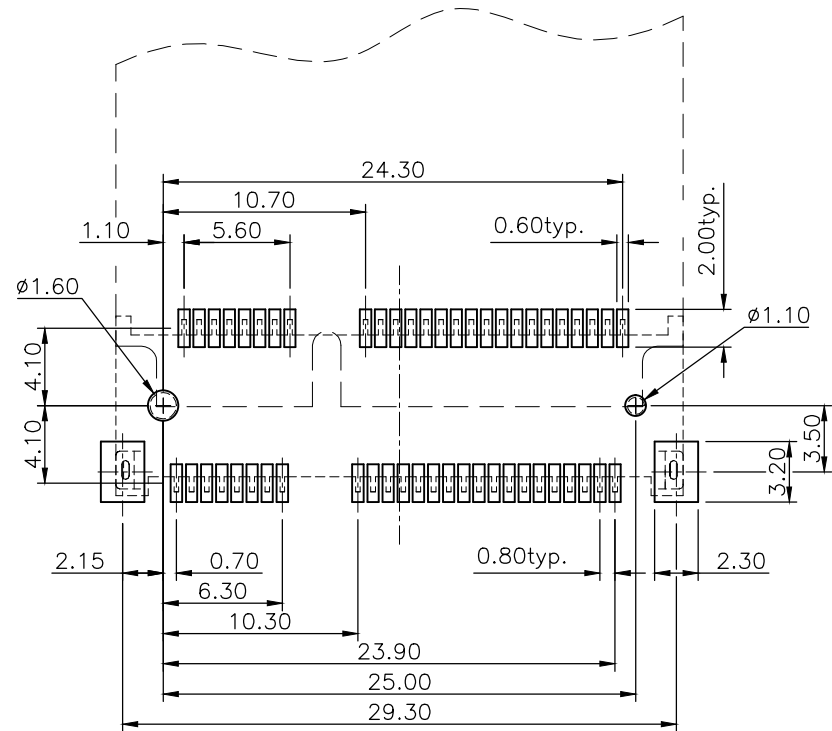
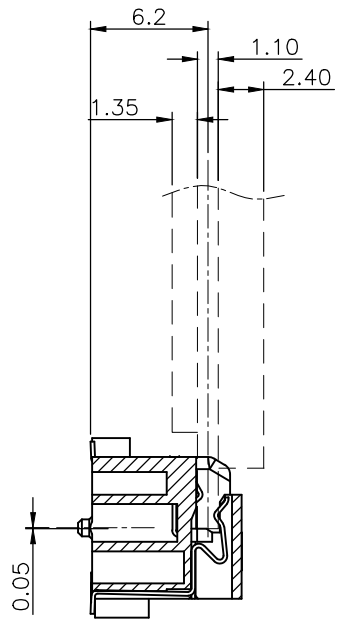
Year | | Day(1~7)  
Week(1~52)

3	HOLDDOWN	Brass, Tin plated under nickel plating	
2	CONTACT	Phosphor Bronze, contact area: G/F solder area: Tin, under plating Nickel	
1	HOUSING	LCP UL94V-0, Black	
NO. PART NAME		DESCRIPTION	
UNLESS OTHERWISE SPECIFIED TOLERANCE			
UNIT:	DECIMAL	LINEAR	ANGLES
mm	X.	±0.50	±5°
	X.X	±0.25	±3°
	X.XX	±0.12	±1°
DRAWN		Willis	2009/11/11
CHECKED		Angel	2009/11/11
APPROVED		Ken	2009/11/11
SCALE		2.25/1	SHEET 1/2
SIZE		A4	FILE NAME
DRAWN NAME:		Mini PCI Express Socket H: 8.0mm	
PRODUCT NO.		119A-80A00-R02	
FILE NAME		119A-80A00-R02_B_5.3	




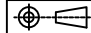
www.attend.com.tw

REV.	DESCRIPTION	DRAWN	DATE
	see sheet one		

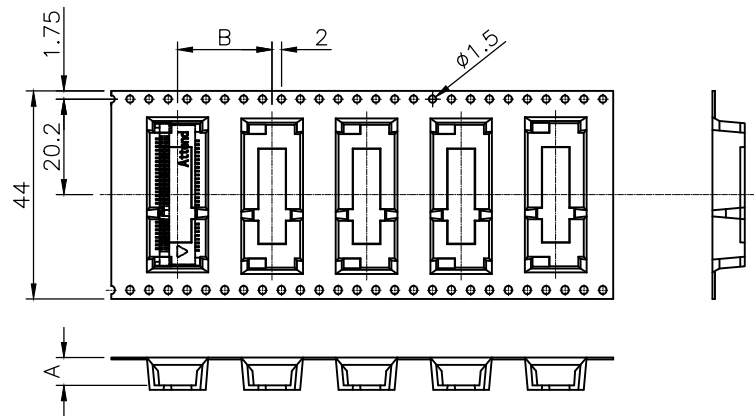
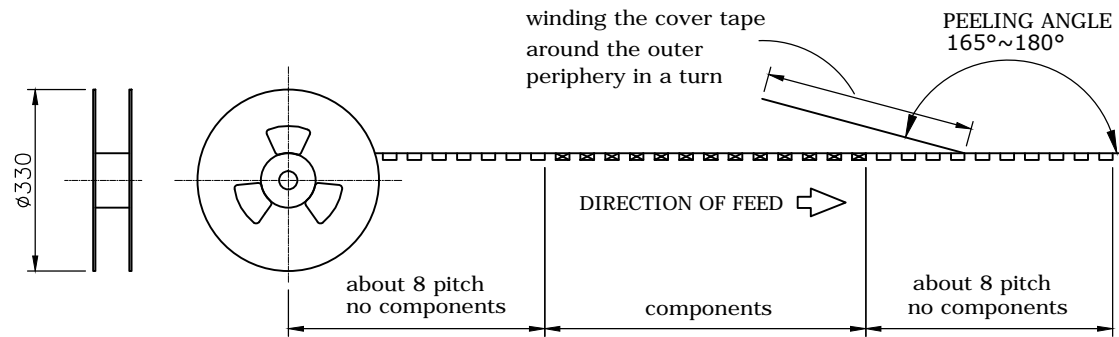


--- CARD  
 --- PAD LAYOUT

**RECOMMEND LAYOUT (TOP VIEW)**  
**GENERAL TOLERANCE: ±0.05**

UNLESS OTHERWISE SPECIFIED TOLERANCE					
UNIT:	DECIMAL	LINEAR	ANGLES		
mm	X.	±0.50	±5°	www.attend.com.tw	
	X.X	±0.25	±3°		
	X.XX	±0.12	±1°		
DRAWN	Willis	2009/11/11	DRAWN NAME: Mini PCI Express Socket H: 8.0mm		
CHECKED	Angel	2009/11/11			
APPROVED	Ken	2009/11/11	PRODUCT NO.	119A-80A00-R02	
	SCALE 2.25/1	SHEET 2/2	SIZE A4	FILE NAME	119A-80A00-R02_B_5.3

REV.	DESCRIPTION	DRAWN	DATE
3	Note 9.2H 300 PCS/REEL	Willis	2010/04/30
4	New frame	Willis	2012/08/03
5	ECR2000003	FROS	2020/04/16



Dimension table:

P/N	DIM. A	DIM. B
119A-40A00-R02	4.30	16.00
119A-56A00-R02	5.90	16.00
119A-80A00-R02	8.30	16.00
119A-92A00-R02	9.50	20.00

## PACKAGING SPECIFICATION:

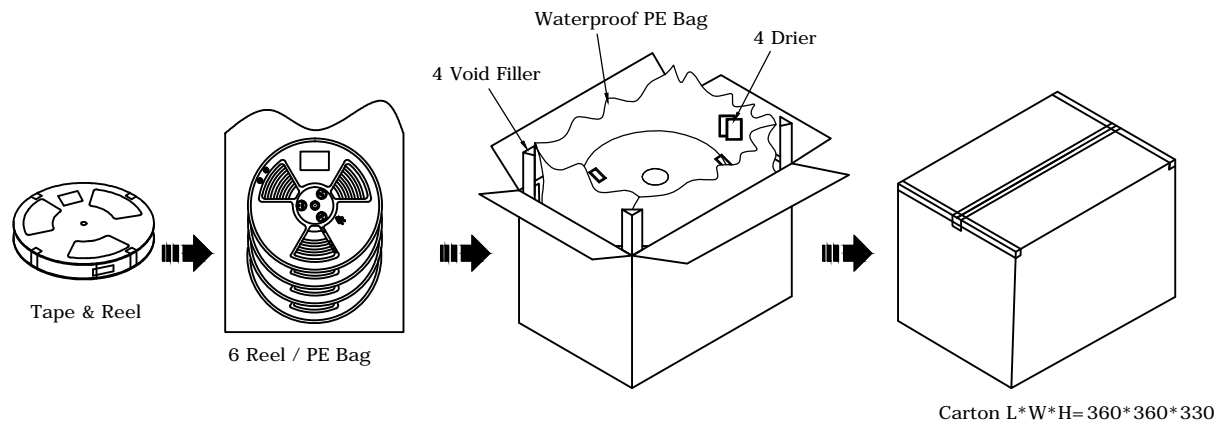
### 1. MATERIAL

- 1.1 Embossed Carrier Tape: PS Black
- 1.2 Top Cover Tape: PET 20-80g (Peel Speed 300mm/Minute)
- 1.3 Taping Reel: Plastic

### 2. PACKING

#### 2.1 Quantity:

P/N	PCS/ REEL	PCS/ CARTON
119A-40A00-R02	700	4200
119A-56A00-R02	550	3300
119A-80A00-R02	400	2400
119A-92A00-R02	300	1800



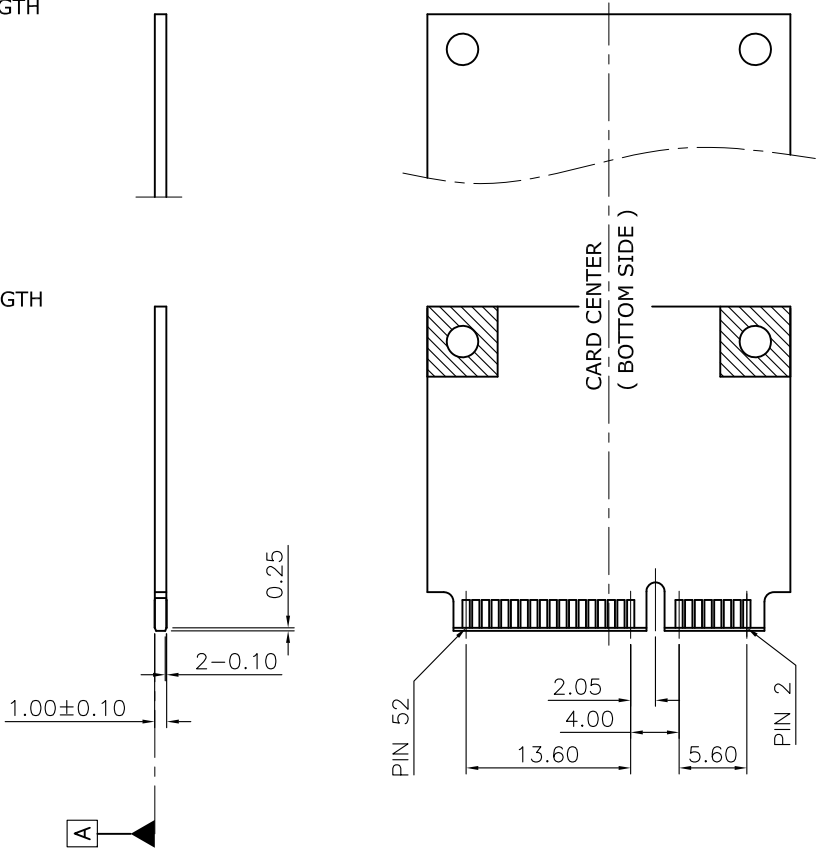
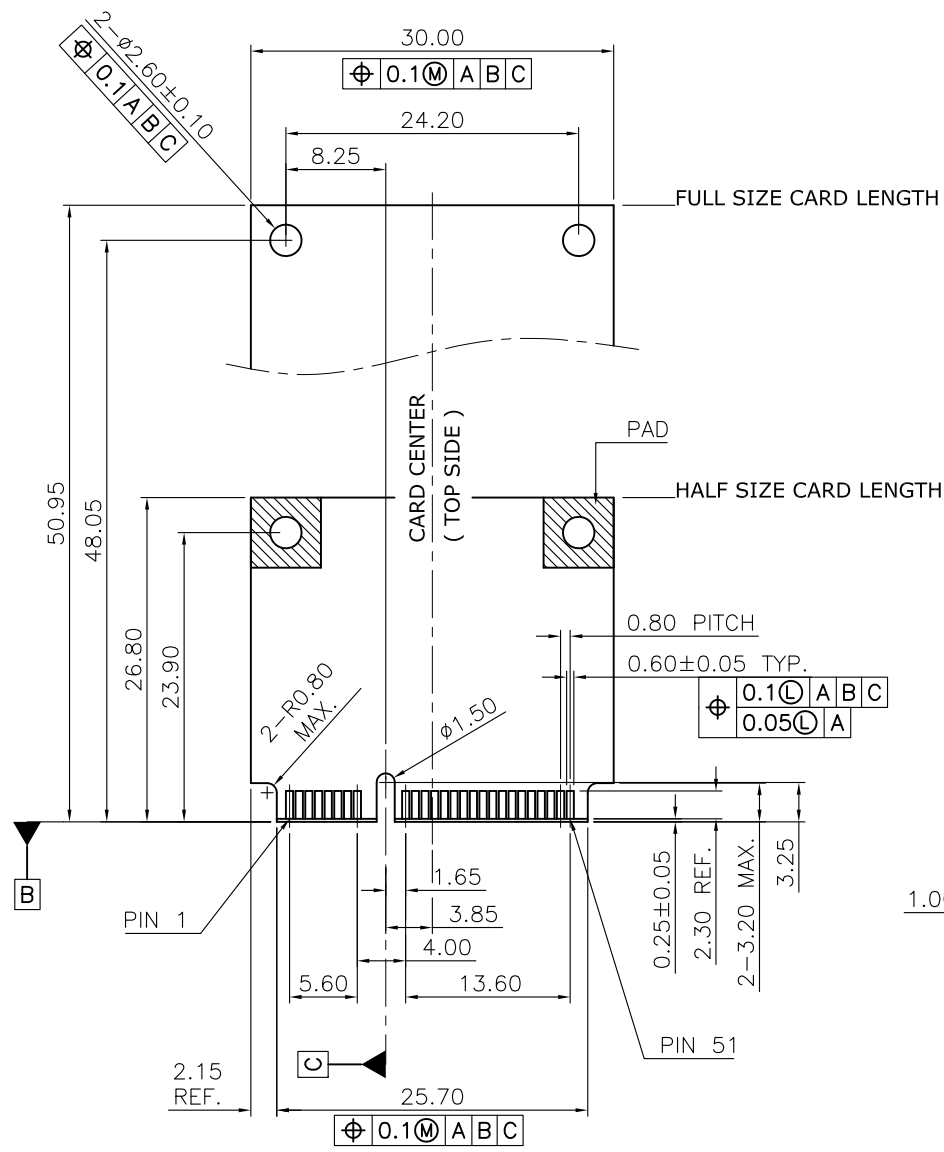
UNLESS OTHERWISE SPECIFIED TOLERANCE			
UNIT:	DECIMAL	LINEAR	ANGLES
mm	X.	±0.50	±5°
	X.X	±0.25	±3°
	X.XX	±0.12	±1°




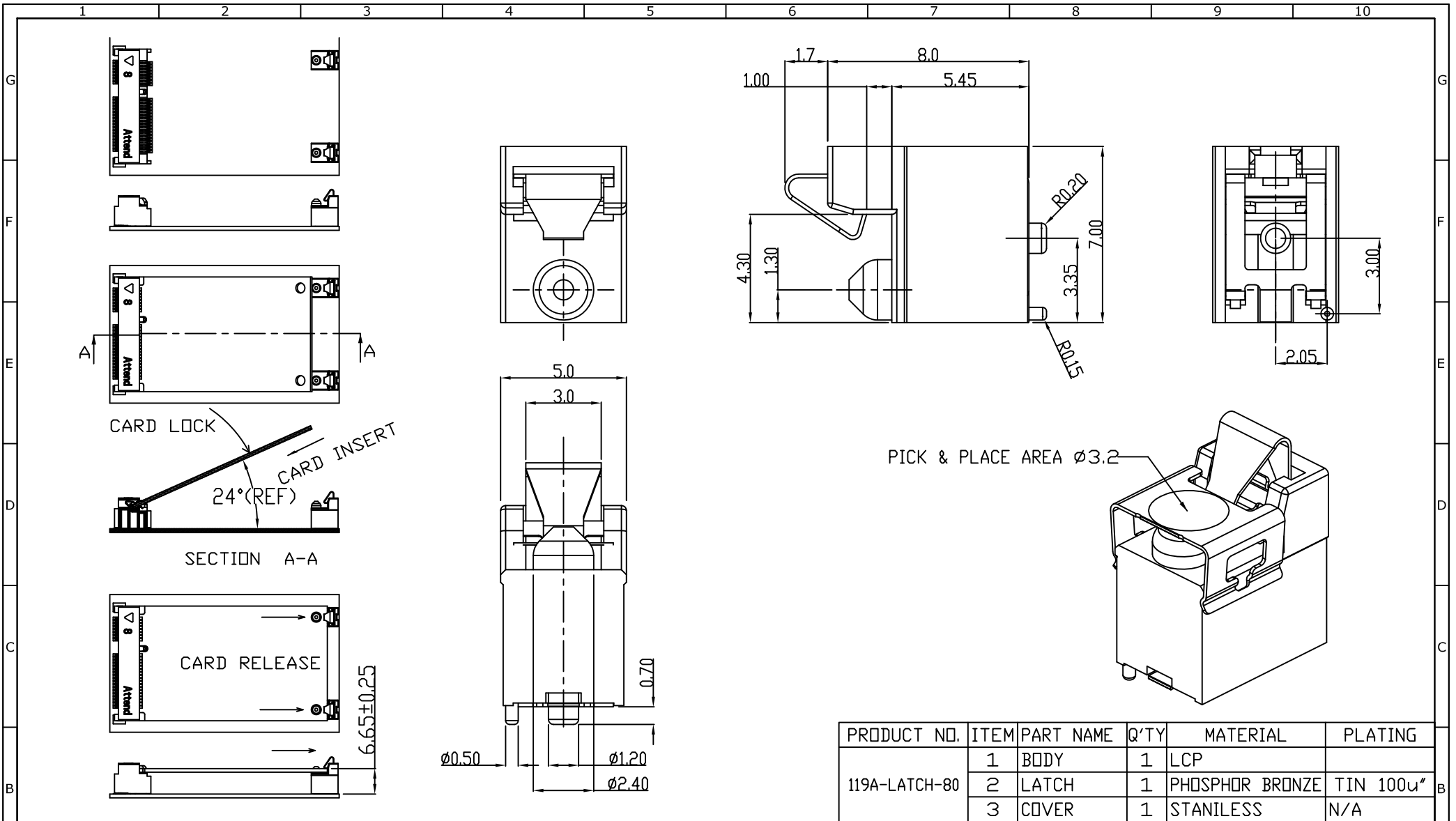
www.attend.com.tw

DRAWN	Willis	2009/11/11	DRAWN NAME:	Mini PCI Express Socket Packaging drawing
CHECKED	Angel	2009/11/11	PRODUCT NO.	
APPROVED	Ken	2009/11/11	FILE NAME	119A-XXA00-R02_D_5
SCALE	n/a	SHEET 1/1	SIZE	A4

REV.	DESCRIPTION	DRAWN	DATE
1	Initial Release	FROS	2014/12/03



UNLESS OTHERWISE SPECIFIED TOLERANCE					
UNIT:	DECIMAL	LINEAR	ANGLES		
mm	X.	±0.50	±5°	WWW.ATTEND.COM.TW	
	X.X	±0.25	±3°		
	X.XX	±0.12	±1°		
DRAWN	Fros	2014/12/03	DRAWN NAME:		
CHECKED	Ron	2014/12/03	PHYSICAL DIMENSIONS OF		
APPROVED	Albert	2014/12/03	PCI EXPRESS MINI CARD		
SCALE	1.6/1	SHEET	1/1	SIZE	A4
PRODUCT NO.	FILE NAME				
					119A-CARD_1



PRODUCT NO.	ITEM	PART NAME	Q'TY	MATERIAL	PLATING
119A-LATCH-80	1	BODY	1	LCP	
	2	LATCH	1	PHOSPHOR BRONZE	TIN 100 $\mu$ "
	3	COVER	1	STAINLESS	N/A

UNLESS OTHERWISE SPECIFIED TOLERANCE		
ANGLES	ANG.	$\pm 5^\circ$
LINEAR	0.	$\pm 0.3$
	0.0	$\pm 0.25$
	0.00	$\pm 0.20$
SCALE	AS SHOWN	UNIT: mm
DRAWN	Willis	2012/08/03
CHECKED	Angel	2012/08/03
APPROVED	Ken	2012/08/03

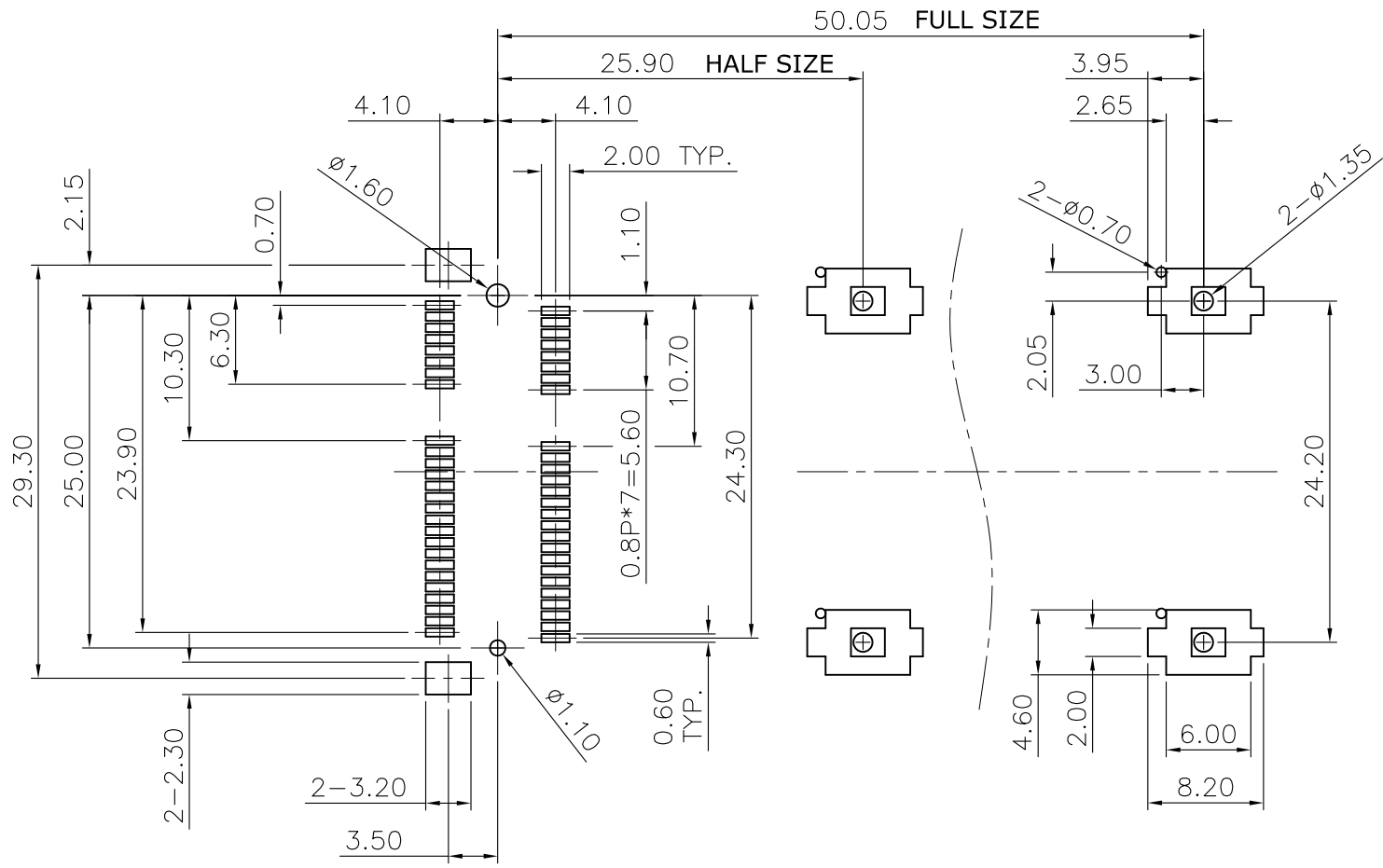


www.attend.com.tw  
 DRAWN NAME:  
 Mini PCI Express Latch H:8.0


REV.	DESCRIPTION	DATE	REV.	DESCRIPTION	DATE
3	Revise:				
2	Revise:				
1	Revise:				

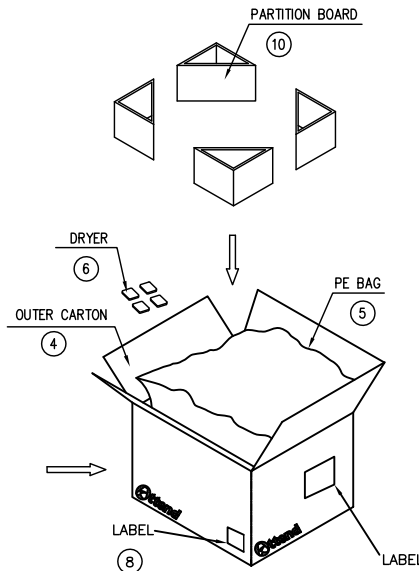
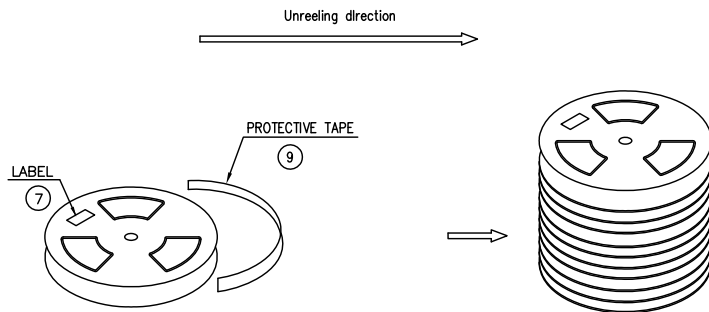
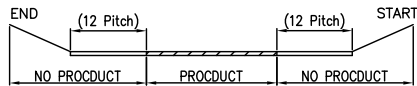
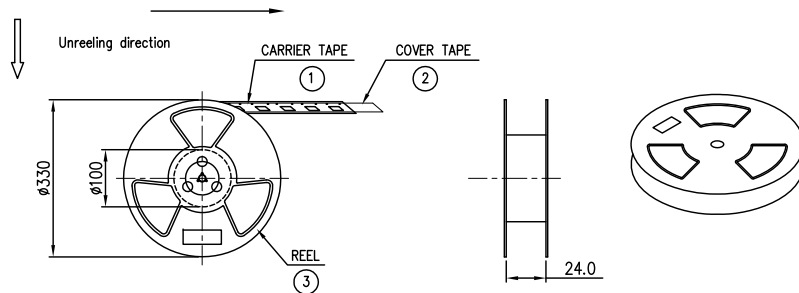
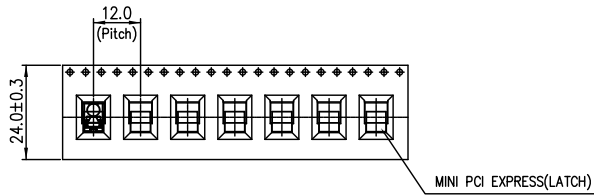
SIZE	REV.	FILE NAME
A4	1.0	119A-LATCH-80_B_2

REV.	DESCRIPTION	DRAWN	DATE
1	Initial Release	FROS	2014/12/15



GENERAL TOLERANCE:  $\pm 0.05\text{mm}$

UNLESS OTHERWISE SPECIFIED TOLERANCE					
UNIT:	DECIMAL	LINEAR	ANGLES		
mm	X.	$\pm 0.50$	$\pm 5^\circ$	WWW.ATTEND.COM.TW	
	X.X	$\pm 0.25$	$\pm 3^\circ$		
	X.XX	$\pm 0.12$	$\pm 1^\circ$		
DRAWN	Fros	2014/12/15	DRAWN NAME:		
CHECKED	Ron	2014/12/15	Recommend PCB Layout		
APPROVED	Albert	2014/12/15	119A-XXA00-RXX + 119A-LATCH-XX		
SCALE	1/1	SHEET	1/1	SIZE	A4
PRODUCT NO.	119A-XXA00-RXX + 119A-LATCH-XX				
FILE NAME	119A-XXA00-RXX + 119A-LATCH-XX_1				



NOTES:

- PACKING STYLE
  - 119A-LATCH-40 (4.0H) 700 PCS/REEL 7000 PCS/OUTER CARTON
  - 119A-LATCH-56 (5.6H) 550 PCS/REEL 5500 PCS/OUTER CARTON
  - 119A-LATCH-80 (8.0H) 400 PCS/REEL 4000 PCS/OUTER CARTON
  - 119A-LATCH-92 (9.2H) 300 PCS/REEL 3000 PCS/OUTER CARTON
- MATERIAL CARRIER TAPE: PS BLACK  
COVER TAPE: PET FILM  
REEL: PLASTIC
- PEEL STRENGTH OF COVER TAPE: 20-80g (PEEL SPEED 300mm/MINUTE).

10	PARTITION BOARD	4	PCS		
9	PROTECTIVE TAPE	3	PCS		
8	LABEL	1	PCS		
7	LABEL	6	PCS		
6	DRYER	4	BAG		
5	PE BAG	1	PCS	L850*W750mm	
4	OUTER CARTON	1	PCS		
3	REEL	10	SET	ø330*100mm,W=44mm	
2	COVER TAPE	SEE NOTES	10	PCS	W=21.5mm
1	CARRIER TAPE			PCS	W=24mm,T=0.5mm
NO	PACKING NAME	PCS/R/R/BOX	UNIT	NOTE	

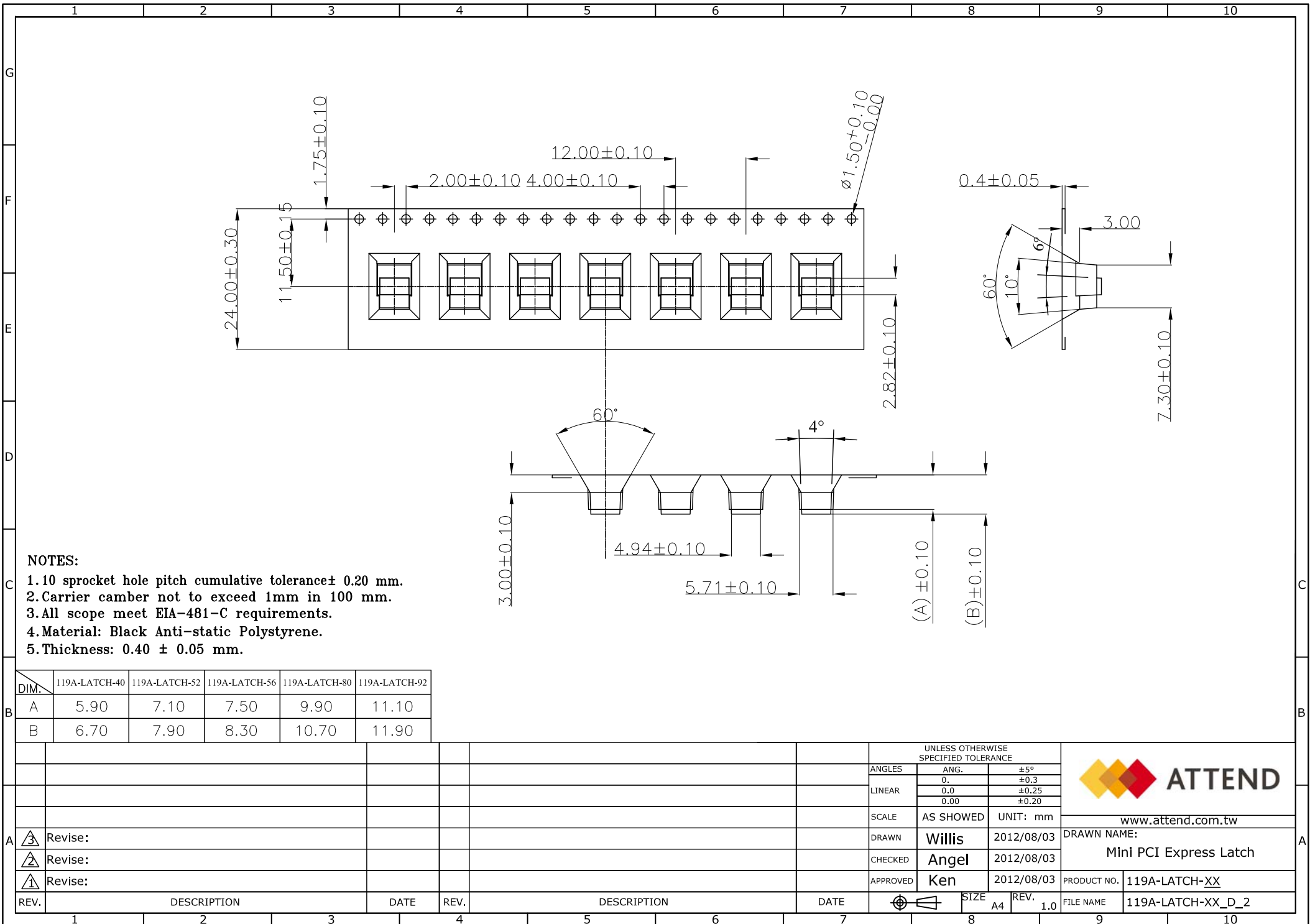
UNLESS OTHERWISE SPECIFIED TOLERANCE		
ANGLES	ANG.	±5°
LINEAR	0.	±0.3
	0.0	±0.25
	0.00	±0.20
SCALE	AS SHOWN	UNIT: mm
DRAWN	Willis	2012/08/03
CHECKED	Angel	2012/08/03
APPROVED	Ken	2012/08/03



- ③ Revise:
- ② Revise:
- ① Revise:

DRAWN NAME: Mini PCI Express Latch  
PRODUCT NO. 119A-LATCH-XX  
FILE NAME 119A-LATCH-XX\_D\_2

REV.	DESCRIPTION	DATE	REV.	DESCRIPTION	DATE	SIZE	REV.
1			4			A4	1.0




- NOTES:**
1. 10 sprocket hole pitch cumulative tolerance  $\pm 0.20$  mm.
  2. Carrier camber not to exceed 1mm in 100 mm.
  3. All scope meet EIA-481-C requirements.
  4. Material: Black Anti-static Polystyrene.
  5. Thickness:  $0.40 \pm 0.05$  mm.

DIM.	119A-LATCH-40	119A-LATCH-52	119A-LATCH-56	119A-LATCH-80	119A-LATCH-92
A	5.90	7.10	7.50	9.90	11.10
B	6.70	7.90	8.30	10.70	11.90

REV.	DESCRIPTION	DATE	REV.	DESCRIPTION	DATE
1			4		
2			5		
3			6		

UNLESS OTHERWISE SPECIFIED TOLERANCE		
ANGLES	ANG.	$\pm 5^\circ$
LINEAR	0.	$\pm 0.3$
	0.0	$\pm 0.25$
	0.00	$\pm 0.20$
SCALE	AS SHOWN	UNIT: mm
DRAWN	Willis	2012/08/03
CHECKED	Angel	2012/08/03
APPROVED	Ken	2012/08/03
SIZE	A4	REV. 1.0


  
[www.attend.com.tw](http://www.attend.com.tw)

DRAWN NAME:  
**Mini PCI Express Latch**

PRODUCT NO. 119A-LATCH-XX  
 FILE NAME 119A-LATCH-XX\_D\_2